

SO-601 Datasheet

Optical Smoke Alarm

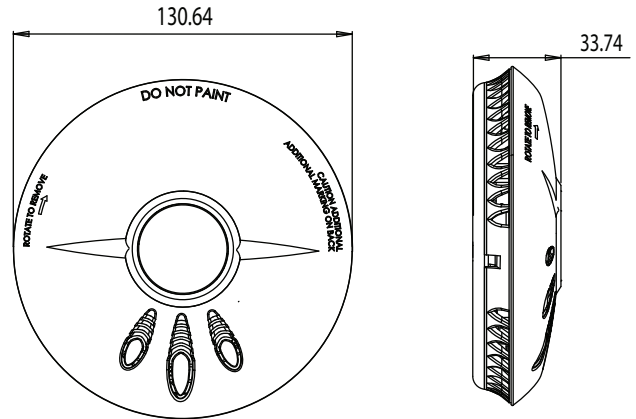
A.K.A. Toast Proof Smoke Alarm

GN0223/R1

Product Image



Product Dimensions (mm)



Model Number	SO-601
Retail Description	Toast Proof Smoke Alarm
Retail EAN Number	???
Retail Packaging Format	Recycled Clear PET Box
Retail Packaging Dimensions WxHxD	136.5mm x 131.6mm x 37.5mm
Retail Packaging Weight	239g (including alarm, manual and fixings)
Retail SRP Quantity	5 or 10
Trade Description	1 Year Optical Smoke Alarm
Trade EAN Number	???
Trade Packaging Format	Recycled Cardboard Box
Trade Packaging Dimensions WxHxD	134mm x 134mm x 40.6mm
Trade Packaging Weight	???
Trade Outer Box Quantity	20
Warranty	5 years
Technology	High quality optical sensor
Operation AC/DC	DC
Battery Type	9V PP3 Alkaline
Product Weight	169g (including battery)
Alert Type	Loud 85dB alarm at 3 metres
Operating Temperature	+4°C to +38°C
Operating Humidity	Up to 90% RH% non-condensing

Installation Positions	Ceiling / Wall
Approvals	Certified to BS EN 14604:2005
Additional Testing	Approved for use in leisure and accommodation vehicles

Health & Safety Information

Storage Temperature	-20°C to +50°C
Storage Humidity	Up to 90% RH% non-condensing
Storage Licensing Requirement	N/A
Isotope Activity	N/A



FireAngel®

FireAngel Ltd.
Vanguard Centre, Sir William Lyons Road
Coventry, CV4 7EZ, United Kingdom

Tel: +44 (0)24 7771 7700
Fax: +44 (0)24 7669 3610
Web: www.fireangel.co.uk